

# ORing

Get Connected Anytime, Anywhere



## The Next-Generation 3000-Series Managed Switches

Optimized for OT networks, ensuring reliability.



### IES-3082GP-LA/ IES-3164GP-LA

- Managed L2 Ethernet switches
- Fast Ethernet with gigabit uplinks
- Network redundancy by O-Ring/O-Chain, RSTP/MSTP and MRP
- Dual DC power inputs



### IGS-3000-LA/ IGPS-3000-LA series

- Managed L2 Ethernet (PoE) switches
- All gigabit ports
- PoE models comply with IEEE 802.3at
- Network redundancy by O-Ring/O-Chain, RSTP/MSTP and MRP
- Dual DC power inputs



### IGS-C3000/ IGPS-C3000 series

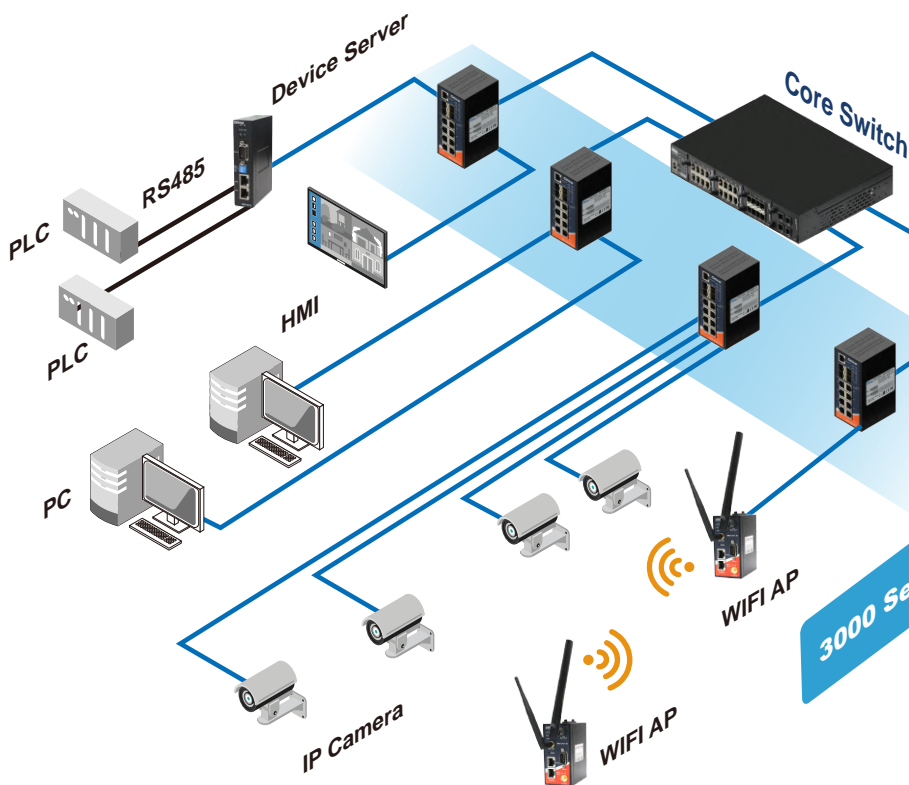
- Managed L2 Ethernet (PoE) switches
- Full gigabit with 2.5Gbit/s SFP uplinks
- PoE models comply with IEEE 802.3at
- Network redundancy by O-Ring/O-Chain, RSTP/MSTP, MRP and G.8032
- Centralized management with ORing Commander (Open-Vision V4.0)
- Supports IEEE 1588 PTP server/client
- Dual DC power inputs



### RGS-3244GP/ RGPS-3244GP-P

- Rackmount Managed L2 Ethernet (PoE) switches
- All gigabit ports
- PoE models comply with IEEE 802.3at
- Network redundancy by O-Ring/O-Chain, RSTP/MSTP and MRP
- AC / DC power input

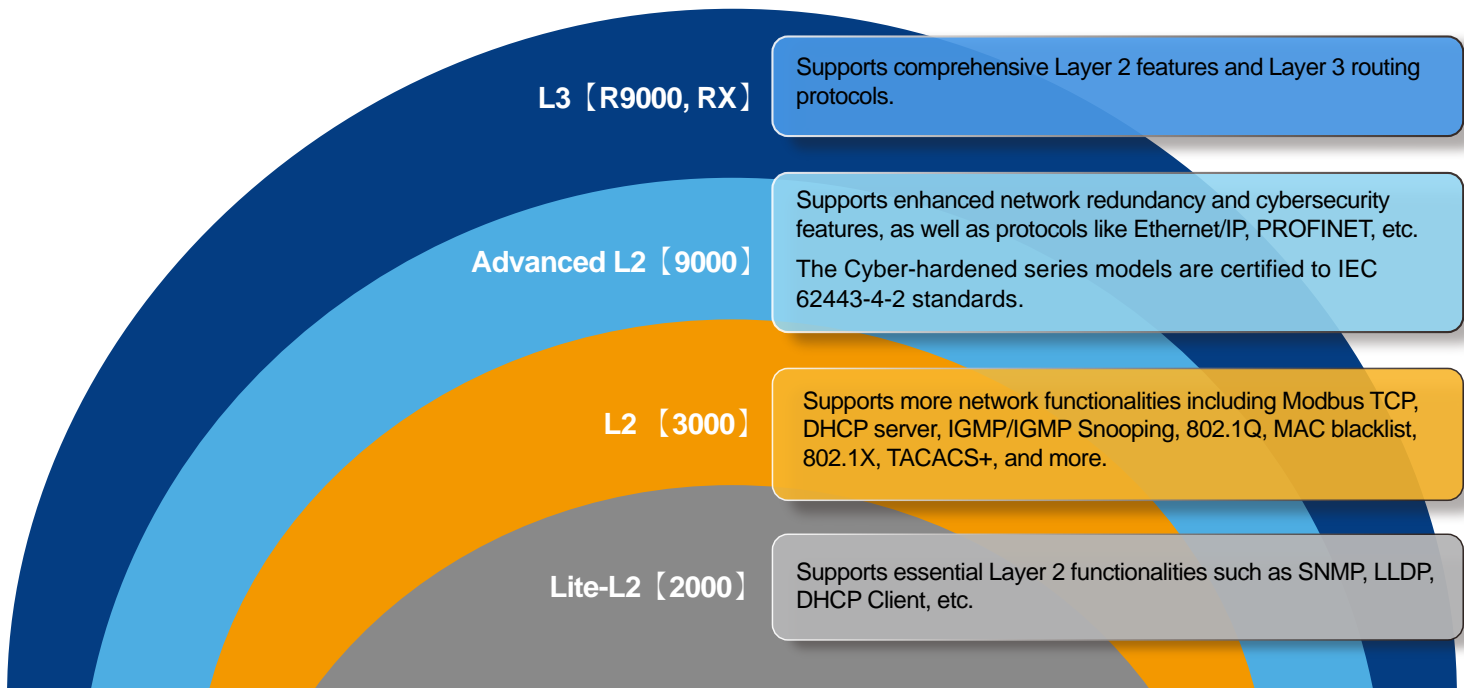
## Scenario



Integrating network deployment with budget considerations is crucial, and ORing's next-generation 3000 series Ethernet switches promise significant cost savings. Their L2 functionality is designed to meet the requirements of various industrial network applications.

**3000 Series Ethernet Switch**

## Managed Ethernet Switch Portfolio



## Why ORing?



### Efficient Management

Local management via webUI, Telnet, Serial Console (CLI), and support for auto topology monitoring.



### Industry-Proven

The 3000-series are compliant with industry standards to ensure reliability for industrial applications.



### Intelligent PoE

Supports PoE features such as PoE boot delay, Auto PD status checking, port priority and PoE scheduling.



### Modbus TCP

Seamless integration into SCADA and PLC networks.



### 5-year Warranty

Providing peace of mind and operational efficiency throughout its lifespan.

## Application



ITS



Factory Automation



Smart City



IP Surveillance

## About ORing

Founded in 2005, ORing specializes in innovative industrial-grade products. With extensive experience in wired and wireless network communications, ORing provides high-quality products and excellent customer services for diverse sectors including factory automation, ITS, IP surveillance, railway, power utility, IIoT, and new energy, with global offices for real-time customer support.



Power Utilities



Manufacturing



IP Surveillance



IIoT



ITS



Railway



In-Vehicle



ESG & Net Zero

## ORing Industrial Networking Corp

3F., No.542-2, Zhongzheng Rd., Xindian Dist., New Taipei City 23148, Taiwan  
 TEL: + 886-2-2218-1066  
 FAX: + 886-2-2218-1014  
 www.ORingNet.com  
 E-mail: info@oringnet.com



LinkedIn



ORingNet

# The Next-Generation 3000 Series at a Glance



IES-3082GP-LA    IES-3164GP-LA    IGS-C3042GP    IGS-C3082GP    IGS-3084GP-LA    IGS-3164GP-LA

Interface	IES-3082GP-LA	IES-3164GP-LA	IGS-C3042GP	IGS-C3082GP	IGS-3084GP-LA	IGS-3164GP-LA
Port Number	10	20	6	10	12	20
10/100Base-T(X)	8	16				
10/100/1G Base-T(X)			4	8	8	16
100/1G Base-X SFP	2	4			4	4
100/1G/2.5G Base-X SFP			2	2		
PoE (10/100/1000Mbps)						
Relay Alarm						
Console	•	•	•	•	•	•
<b>PoE</b>						
IEEE 802.3af/at						
PoE Power Budget						
<b>Network Redundancy</b>						
0-Ring/0-Chain	•	•	•	•	•	•
RSTP/MSTP	•	•	•	•	•	•
MRP	•	•	•	•	•	•
G.8032			•	•		
<b>Network Management</b>						
VLAN	•	•	•	•	•	•
SNMP	•	•	•	•	•	•
Security	•	•	•	•	•	•
Diagnostics			•	•		
Traffic Control	•	•	•	•	•	•
Port Trunk	•	•	•	•	•	•
<b>IEEE 1588 PTP</b>						
Server			•	•		
Client			•	•		
<b>Industrial Protocol</b>						
Modbus TCP	•	•	•	•	•	•
<b>Physical</b>						
Housing	IP-30	IP-30	IP-40	IP-40	IP-30	IP-30
Dimension (D x W x H) mm	107 x 54.3 x 145	125 x 76 x 145	110 x 52 x 140	110 x 52 x 140	130 x 48 x 144	126 x 50 x 146
DIN Rail Kit	•	•	•	•	•	•
<b>Redundant Power</b>						
12-48VDC	•	•	•	•	•	•
24-36VDC						
50-57VDC						
<b>Operating Temperature</b>						
-40 to 75°C	•	•	•	•	•	•
<b>Certificate</b>						
CE/FCC	•	•	•	•	•	•
Safety	EN 62368-1	EN 62368-1			EN 62368-1	EN62368-1
<b>Warranty</b>	5 years					

# The Next-Generation 3000 Series at a Glance



	IGPS-C3082GP	IGPS-3084GP-LA	IGPS-3164GP-LA	RGS-3244GP	RGPS-3244GP-P
<b>Interface</b>					
Port Number	10	12	20	28	28
10/100Base-T(X)					
10/100/1G Base-T(X)				24	
100/1G Base-X SFP		4	4	4	4
100/1G/2.5G Base-X SFP	2				
PoE (10/100/1000Mbps)	8	8	16		24
Relay Alarm	1			1	1
Console	•	•	•	•	•
<b>PoE</b>					
IEEE 802.3af/at	•	•			
PoE Power Budget	240 Watts	150 Watts	150 Watts		360 Watts
<b>Network Redundancy</b>					
O-Ring/O-Chain	•	•	•	•	•
RSTP/MSTP	•	•	•	•	•
MRP	•	•	•	•	•
G.8032	•				
<b>Network Management</b>					
VLAN	•	•	•	•	•
SNMP	•	•	•	•	•
Security	•	•	•	•	•
Diagnostics	•				
Traffic Control	•	•	•	•	•
Port Trunk	•	•	•	•	•
<b>IEEE 1588 PTP</b>					
Server	•				
Client	•				
<b>Industrial Protocol</b>					
Modbus TCP	•	•	•	•	•
<b>Physical</b>					
Housing	IP-30	IP-30	IP-30	IP-30	IP-30
Dimension (D x W x H) mm	130 x 48 x 144	126 x 50 x 146	126 x 50 x 146	230 x 440 x 44.4	350 x 465 x 44.4
DIN Rail Kit	•	•	•		
Rack Mount				•	•
<b>Redundant Power</b>					
12-48VDC					
48-57VDC	•	•	•		
85-264VAC/100-300VDC				•	•
<b>Operating Temperature</b>					
-40 to 75°C	•	•	•	•	•
<b>Certificate</b>					
CE/ FCC	•	•	•	•	•
Safety		EN62368-1	EN 62368-1	EN 62368-1	EN 62368-1
<b>Warranty</b>					
	5 years				