

# IGPS-C1042GP



IGPS-C1042GP series

➤ *Industrial 6-port Unmanaged Gigabit PoE Ethernet Switch with 4x10/100/1000Base-T(X) P.S.E and 2 x100/1000Base-X, SFP socket*

## Features

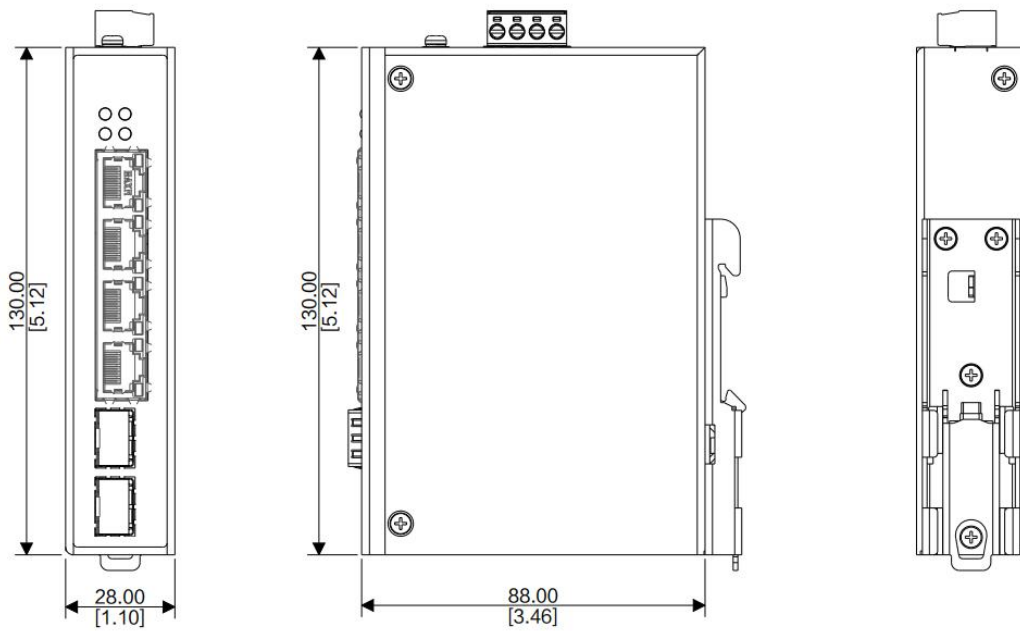
- Support 4 ports 10/100/1000Base-T(X) P.S.E ports
- Support IEEE 802.3at compliant PoE and total power budget is 120Watts with maximum 30Watts per port.
- Support 2 ports 100/1000Base-X SFP socket
- Support auto-negotiation and auto-MDI/MID-X
- Support Store and forward transmission
- Support flow control
- Rigid IP-40 housing design
- DIN-rail mounting enable



## Introduction

IGPS-C1042GP is unmanaged Ethernet Switch with 4x10/100/1000Base-T(X) P.S.E ports with 2x100/1000Base-X SFP ports and extended operating temperature range from -40°C to 75°C for the harsh environments. IGPS-C1042GP supports power over Ethernet, a system to transmit electrical power, along with data, to remote devices over standard twisted-pair cable in an Ethernet network. P.S.E is a device (switch or hub for instance) that will provide power in a PoE setup. Therefore, the switch is one of the most reliable choices for rolling stock and highly unmanaged PoE Ethernet application.

Dimensions



PoE PIN Definition

10/100Base-T(X) P.S.E RJ-45 port	
RJ-45 PIN Definition	
PIN No.	Description
# 1	TD+ with PoE Power input +
# 2	TD+ with PoE Power input +
# 3	RD+ with PoE Power input -
# 6	RD+ with PoE Power input -

1000Base-T(X) P.S.E RJ-45 port	
RJ-45 PIN Definition	
PIN No.	Description
# 1	BI_DA+ with PoE Power input +
# 2	BI_DA- with PoE Power input +
# 3	BI_DB+ with PoE Power input -
# 4	BI_DC+
# 5	BI_DC-
# 6	BI_DB- with PoE Power input -
# 7	BI_DD+
# 8	BI_DD-

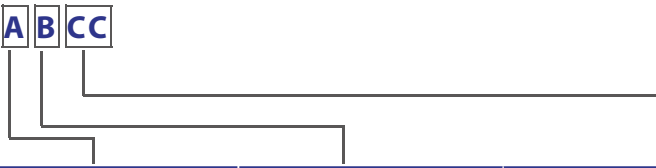
## Specifications

ORing Switch Model	IGPS-C1042GP
<b>Physical Ports</b>	
10/100/1000Base-T(X) Ports in RJ45 Auto MDI/MDIX with P.S.E	4
100/1000Base-X with SFP port	2
<b>Technology</b>	
Ethernet Standards	IEEE 802.3 for 10Base-T IEEE 802.3u for 100Base-TX and 100Base-FX IEEE 802.3ab for 1000Base-T IEEE 802.3z for 1000Base-X IEEE 802.3x for Flow control IEEE 802.3af/at PoE specification
MAC Table	4K
Processing	Store-and-Forward
Jumbo Frame	9K Bytes
Switch Properties	Switching latency: 9 us Switching bandwidth: 12Gbps
<b>LED indicators</b>	
Power Indicator (PWR)	Green: Power LED x2
10/100/1000Base-T(X) RJ45 Port Indicator	Upper LED for Link/Act indicator: Green for port Link/Act Lower LED for POE indicator: Green for POE output
100/1000Base-X SFP Port Indicator	Green for port Link/Act
<b>Power</b>	
Redundant Input power	Dual 48~57VDC on 4-pin terminal block
Power consumption (Typ.)	<6Watts
PoE Power budget	120W max
Overload current protection	Present
<b>Physical Characteristic</b>	
Enclosure	IP-40 Metal
Dimension (W x D x H)	28(W) x 88 (D) x 130(H)mm
<b>Environmental</b>	
Storage Temperature	-40 to 85°C (-40 to 185°F)
Operating Temperature	-40 to 75°C (-40 to 167°F)
Operating Humidity	5% to 95% Non-condensing
<b>Regulatory approvals</b>	
EMC	CE EMC (EN 55024, EN 55032), EN50121-4 (compliant), FCC Part 15 B
Shock	IEC60068-2-27
Free Fall	IEC60068-2-31
Vibration	IEC60068-2-6
Safety	EN 62368-1 (LVD)
Warranty	5 years

\*NOTE: This function is available by request only

## Ordering Information

**IGPS-C10A|B|CC**



Code Definition	10/100/1000Base-T(X) P.S.E Port Number	Additional Port Number	Additional Port Type
<b>Option</b>	- <b>4</b> : 4ports	- <b>2</b> : 2ports	- <b>GP</b> : Gigabit SFP ports

Available Model	Model Name	Description
	IGPS-C1042GP	Industrial 6-port unmanaged Gigabit PoE Ethernet switch with 4x10/100/1000Base-T(X) P.S.E and 2x100/1000Base-X SFP socket.

**Packing List**

- IGPS-C1042GP x 1
- DIN-Rail Kit x 1
- Quick Installation Guide x 1

**Optional Accessories**

- DR/SDR/DRP Series DIN-Rail power supply
- SFP100 series: 100Mbps SFP Optical transceiver
- SFP 1G series: 1Gbps SFP Optical transceiver