



# ITPS-141TX-T1L

Industrial 5-port unmanaged Single Pair Ethernet switch with 4x10Base-T1Lwith PoDL+1x

10/100Base-T(X), 24VDC power input

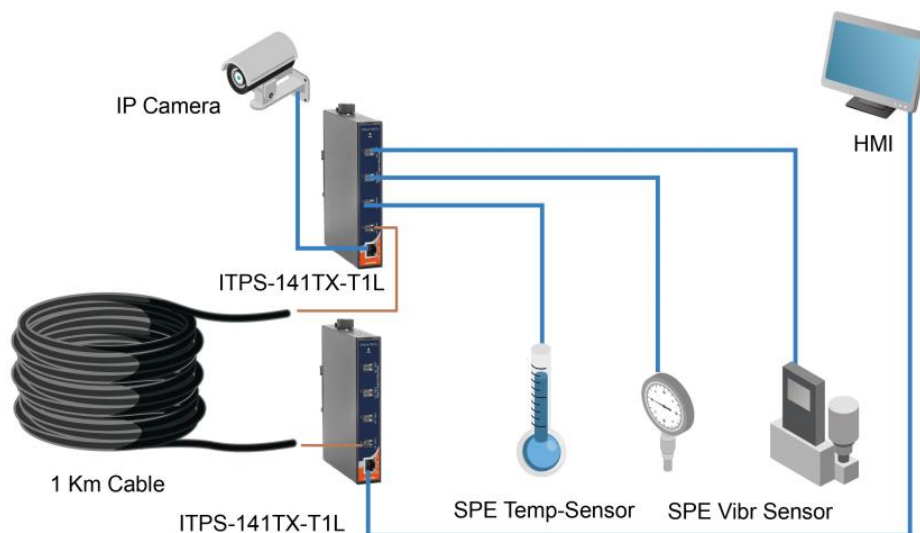
## Features

- Supports SPE(Single Paire Ethernet) 10Base-T1L compliant with IEEE 802.3cg standard
- Long distances point to point transmission up to 1000m
- Supports SCCP PoDL(Power over Data Line) PSE Types compliant with IEEE 802.3bu standard
- PoDL up to 50 Watts/1A per port
- Supports PoDL legacy mode
- Supports wide range 20~30VDC power input
- Supports QoS and flow control
- Rugged IP-30 housing design



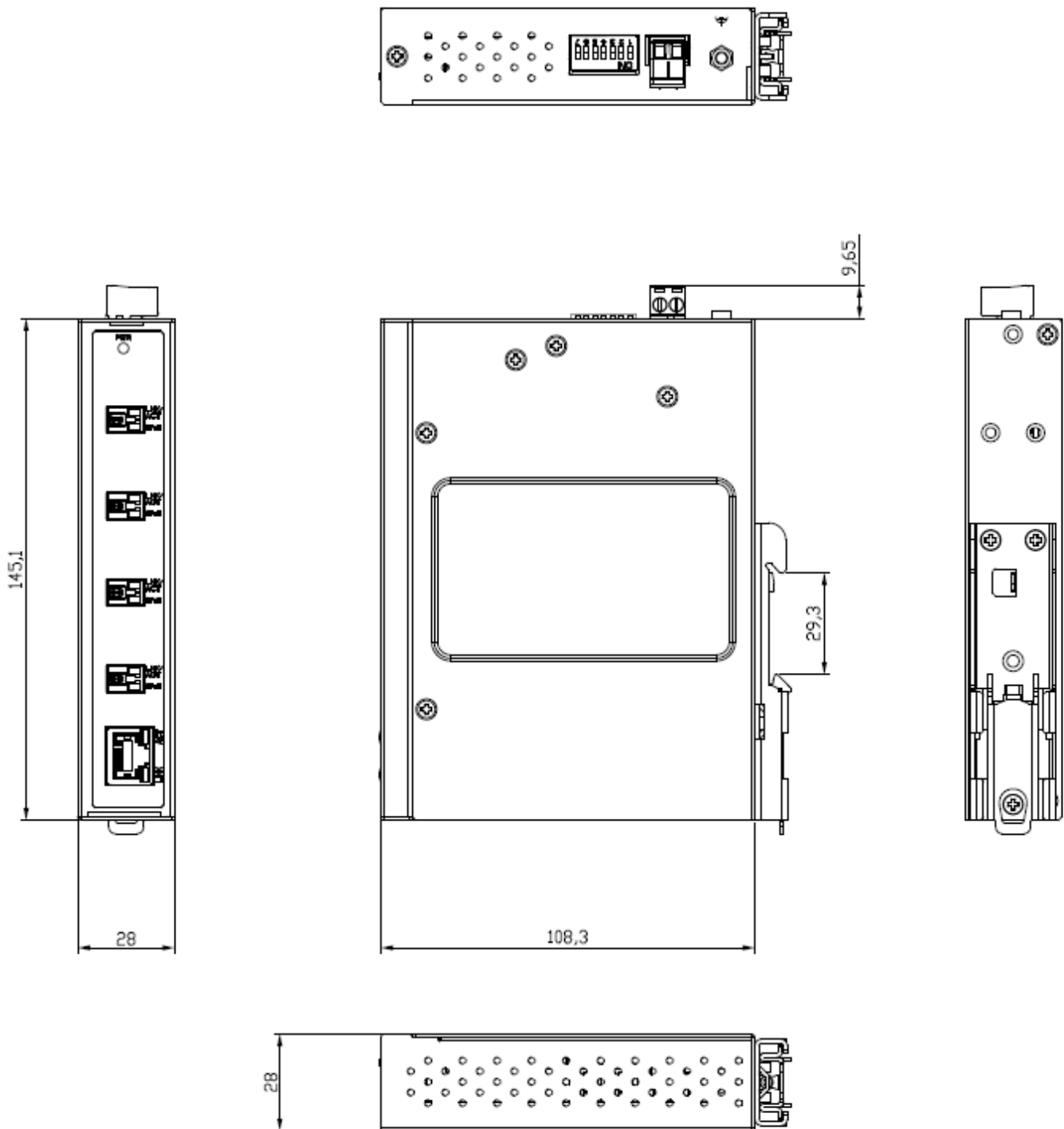
## Practical Operation

ITPS-141TX-T1L is an ideal solution for factory, process automation infrastructure. The new single pair Ethernet technology can be integrated easily into an existing Ethernet infrastructure to simplify layout and also reduce the cost of cabling.



## Dimensions

Dimension(Unit=mm)



## Specifications

ORing Switch Model	ITPS-141TX-T1L
<b>Physical Ports</b>	
10Base-T1L with PoDL	4
10/100Base-T(X) Port in RJ45 Auto MDI/MDIX	1
<b>Technology</b>	
Ethernet Standards	IEEE 802.3 for 10Base-T IEEE 802.3u for 100Base-TX IEEE 802.3x for Flow control IEEE 802.3cg for 10Base-T1L IEEE 802.3bu for PoDL
MAC Table	1K MAC addresses
Processing	Store-and-Forward
<b>LED Indicators</b>	
Power indicator	Green : Power LED
10Base-T1L indicator	Green for port Link/Act.
PoDL indicator	Amber for PoDL PD device is connected
10/100Base-T(X) RJ45 port indicator	Green for port Link/Act. Amber for 10Mbps/ Green for 100Mbps indicator
<b>PoDL</b>	
SCCP	
24v	Class 10~12, up to 20W
50v	Class 13~14, up to 30W
Force mode	Up to 50W/1A
<b>PoDL Dip switch</b>	
PoDL	On :Enable PoDL OFF: Disable PoDL
SCCP mode	Turn on SCCP-based classification ensures full operating voltage is applied by the Power Sourcing Equipment (PSE) when a valid PD is connected
Force mode	Force enable PoDL without classification * Does NOT support hot plugging before enabling Force mode
<b>Power</b>	
Power Input	DC input 24VDC (20~30VDC)
Power consumption (Typ.)	Max.3.47A
PoE Power Budget	80Watts
Overload current protection	Present
Reverse polarity protection	Present
<b>Physical Characteristic</b>	
Enclosure	IP-30
Dimension (W x D x H)	28 (W) x 108.3 (D) x 145.1(H) mm
Weight (g)	530g
<b>Environmental</b>	
Storage Temperature	-40 to 85°C
Operating Temperature	-40 to 70°C
Operating Humidity	5% to 95% Non-condensing
<b>Regulatory approvals</b>	
EMI	FCC Part 15, CISPR (EN55032) class A

EMS	EN61000-4-2 (ESD), EN61000-4-3 (RS), EN61000-4-4 (EFT), EN61000-4-5 (Surge), EN61000-4-6 (CS), EN61000-4-8, EN61000-4-11
Shock	IEC60068-2-27
Free Fall	IEC60068-2-32
Vibration	IEC60068-2-6
<b>Warranty</b>	<b>5 years</b>

## Ordering Information

Available	Model Name	Description
Model	ITPS-141TX-T1L	<i>Industrial 5-port unmanaged Single Pair Ethernet switch with 4x10Base-T1L with PoDL+1x10/100Base-T(X), 24VDC power input</i>

## Packing List

- ITPS-141TX-T1L x 1
- Din-Rail Kit x 1
- Quick Installation Guide x 1