

# Quick Installation Guide

# IGS-1042GPA

## Industrial Unmanaged Gigabit Switch

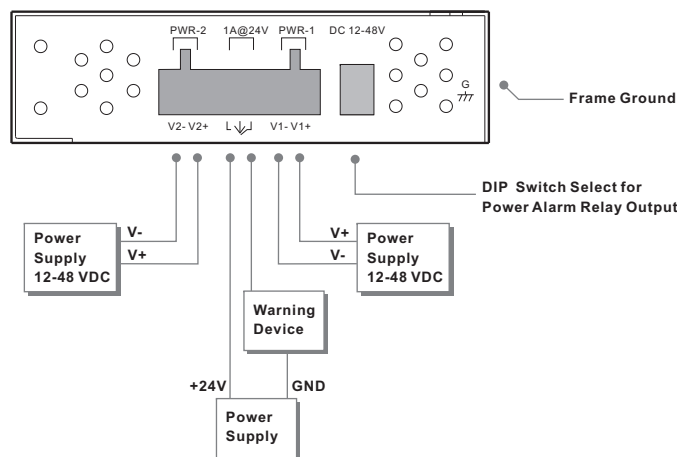
### Introduction

IGS-1042GPA is an unmanaged Ethernet switch, with 4x10/100/1000Base-T(X) ports and 2x100/1000Base-X SFP port. The optical network speed of SFP port can be set by changing the settings of the DIP-Switch below. The wide operating temperature range from -40°C to 70°C can satisfy most of operating environment. Therefore, the switch is one of the most reliable choices for Ethernet application.

### Features

- > IGS-1042GPA provide 4x10/100/1000Base-T(X) ports
- > SFP port support 100Base-FX and 1000Base-X dual speed
- > Support auto-negotiation and auto-MDI/MDI-X
- > Support store and forward transmission
- > Support flow control
- > Rigid IP-30 housing design
- > DIN-Rail and wall mounting enabled

### Power Connection Guide



● DIP Switch Function

DIP-1	DIP-2	Description
OFF	OFF	Power failure relay alarm disabled
ON	OFF	PWR-1 failure, relay alarm enabled
OFF	ON	PWR-2 failure, relay alarm enabled
ON	ON	PWR-1 or PWR-2 failure, relay alarm enabled

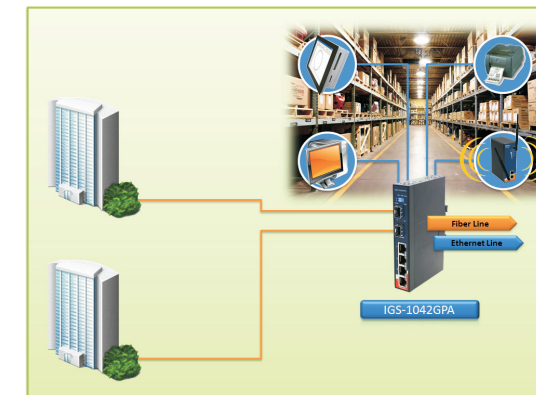
### Specifications

ORing Switch Model	IGS-1042GPA
<b>Physical Ports</b>	
10/100/1000Base-T(X) Port in RJ45 Auto MDI/MDIX	4
100/1000Base-X SFP port	2
<b>Technology</b>	
Ethernet Standards	IEEE 802.3 for 10Base-T IEEE 802.3u for 100Base-TX and 100Base-FX IEEE 802.3ab for 1000Base-T IEEE 802.3z for 1000Base-X IEEE 802.3x for Flow control
MAC Table	1K MAC addresses
Processing	Store-and-Forward
<b>LED Indicators</b>	
Power indicator	Green: Power LED x2
Fault indicator	Amber: Indicate PWR1 or PWR2 failure
10/100/1000Base-T(X) RJ45 port indicator	Green for port Link/Act. Amber for 100Mbps indicator
100/1000Base-X SFP port indicator	Green for port Link/Act.
<b>SFP Speed DIP-Switch</b>	
DIP-Switch 1/2 (port 6/5)	DIP-Switch (ON) : SFP speed setting to 100Mbps DIP-Switch (OFF) : SFP speed setting to 1000Mbps
<b>Relay Output DIP-Switch</b>	
DIP-Switch 1	Power-1 failed warning : (ON) enable, (OFF) disable
DIP-Switch 2	Power-2 failed warning : (ON) enable, (OFF) disable
<b>Fault Contact</b>	
Relay	Relay output to carry capacity of 1A at 24 VDC
<b>Power</b>	
Redundant Input power	Dual DC inputs 12-48VDC on 6-pin terminal block
Power consumption(Typ.)	6.4W (power device not included)
Overload current protection	Present
Reverse polarity protection	Present
<b>Physical Characteristic</b>	
Enclosure	IP-30
Dimension (W x D x H)	26.1 (W) x 94.9 (D) x 144.3 (H) mm (1.03 x 3.74 x 5.68 inches)
Weight (g)	410 g
<b>Environmental</b>	
Storage Temperature	-40 to 85°C (-40 to 185°F)
Operating Temperature	-40 to 70°C (-40 to 158°F)
Operating Humidity	5% to 95% Non-condensing
<b>Regulatory Approvals</b>	
EMI	FCC Part 15, CISPR (EN55022) class A
EMS	EN61000-4-2 (ESD), EN61000-4-3 (RS), EN61000-4-4 (EFT), EN61000-4-5 (Surge), EN61000-4-6 (CS), EN61000-4-8, EN61000-4-11
Shock	IEC60068-2-27
Free Fall	IEC60068-2-32
Vibration	IEC60068-2-6
Safety	EN60950-1
<b>Warranty</b>	5 years

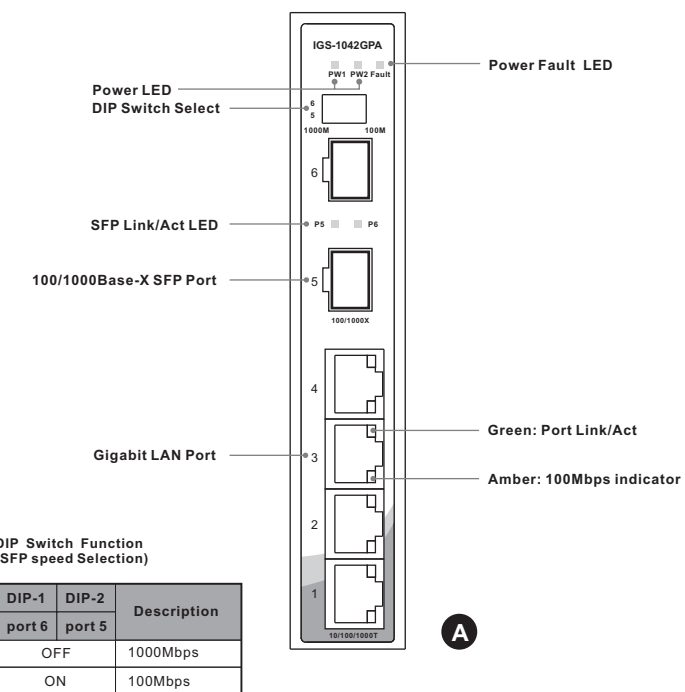
### Practical Operation

IGS-1042GPA can be used in connecting several Ethernet devices like IP-Camera or other Ethernet devices. In addition, there are two different power inputs at terminal block to avoid interruption caused by power down. When the primary DC power input fails, the backup power input will take over immediately to guarantee a non-stop operation.

● Connections of Ethernet devices

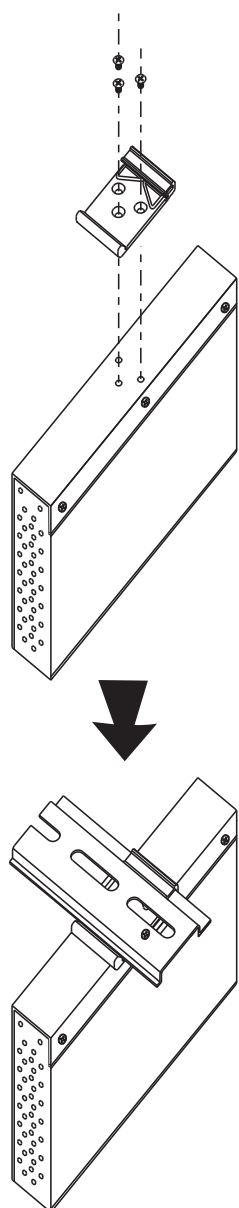


### Front Panel

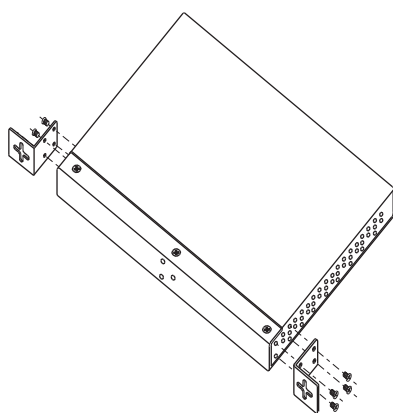


**Installation**

**DIN-Rail Install Step**

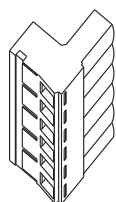


**Wall-mounted Install Step**



**Accessory**

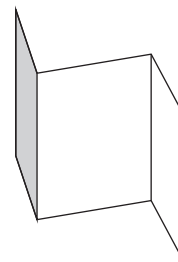
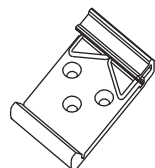
- ① 6-Pin Terminal block
- ② Dust Cover (RJ-45)
- ③ Dust Cover (SFP)



- ④ Round Screw (M3 X3)
- ⑤ Wall-mounted kit (for Slim Type)



- ⑥ 25mm DIN-Rail kit
- ⑦ QIG



**Packing list**

Model name	Front Panel	Model Description	Accessory
IGS-1042GPA	<b>A</b>	Industrial 6-port slim type unmanaged Gigabit Ethernet switch with 4x10/100/1000Base-T(X) and 2x100/1000Base-X, SFP socket	⊙X1, ⊙X4, ⊙X2, ⊙X8, ⊙X2, ⊙X1, ⊙X1

**Communication Connections**

**1000Base-T Ethernet Connection**

**RJ45 (8-pin, MDI) Port Pinouts**

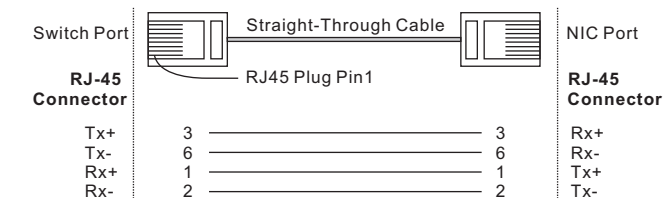
Pin	MDI
1	BI_DA+
2	BI_DA-
3	BI_DB+
4	BI_DC+
5	BI_DC-
6	BI_DB-
7	BI_DD+
8	BI_DD-

**RJ45 (8-pin, MDI-X) Port Pinouts**

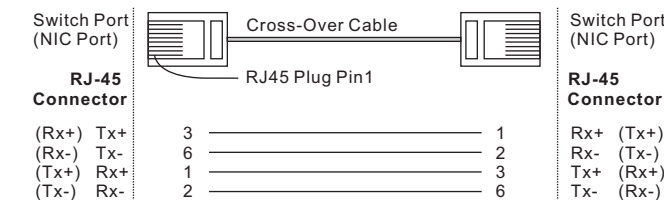
Pin	MDI-X
1	BI_DB+
2	BI_DB-
3	BI_DA+
4	BI_DD+
5	BI_DD-
6	BI_DA-
7	BI_DC+
8	BI_DC-

**10/100Base-T(X) Ethernet Connection**

**RJ45 (8-pin) to RJ45 (8-Pin) Straight-Through Cable Wiring**



**RJ45 (8-pin) to RJ45 (8-Pin) Cross-Over Cable Wiring**



Copyright© 2013 Oring  
All rights reserved.



**ORing Industrial Networking Corp.**  
TEL: +886-2-2218-1066 Website: www.oring-networking.com  
FAX: +886-2-2218-1014 E-mail: support@oring-networking.com