

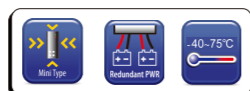
Quick Installation Guide

IGMC-111GPB-LFP

Industrial Gigabit Ethernet to Fiber Media Converter

Introduction

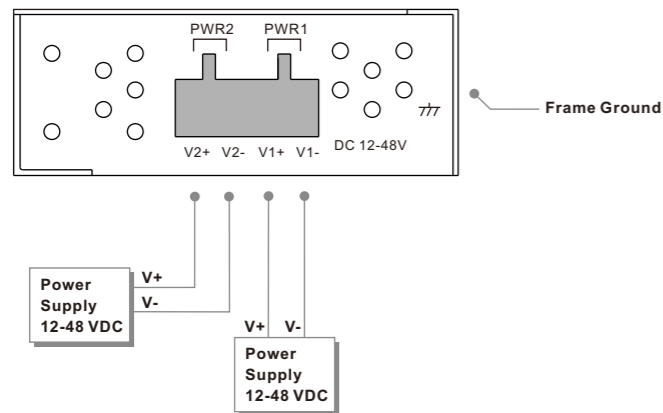
IGMC-111GPB-LFP is a cost-effective solution for the conversion between 100/1000Base-T(X) and 100/1000Base-X interface, it allows you to extend communication distance by optical fiber. IGMC-111GPB-LFP supports MDI/MDIX auto detection, so you don't need to use crossover wires. IGMC-111GPB-LFP with wide operating temperature range from -40 ~ 75°C and accepts a wide voltage range from dual 12 ~ 48 VDC power inputs, so it is suitable for harsh operating environments. Therefore, the IGMC-111GPB-LFP is reliable media converter and can satisfy most demand of operating environment.



Features

- > Supports 1 port 100/1000Base-T(X) auto-negotiation and auto-MDI/MDI-X
- > Supports Ethernet to SFP port signal conversion
- > Provides DIP-Switch to set operation speed of SFP port
- > High reliability and rigid IP-30 housing
- > DIN-Rail and wall-mount enabled

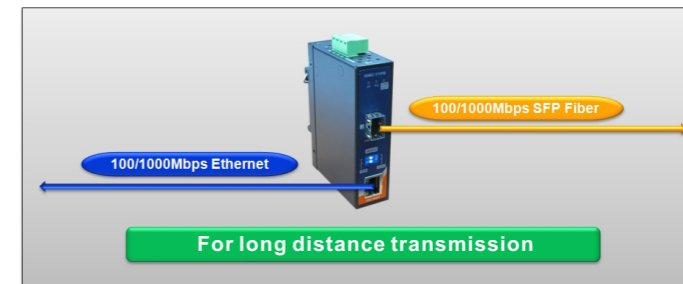
Power Connection Guide



Specifications

ORing Media Converter Model	IGMC-111GPB-LFP
Physical Ports	
100/1000 Base-T(X) Port in RJ45 Auto MDI/MDIX	1
100/1000Base-X SFP port	1
Technology	
Ethernet standards	IEEE 802.3u for 100Base-TX and 100Base-FX IEEE 802.3x for Flow control IEEE 802.3ab for 1000Base-T IEEE 802.3z for 1000Base-X
DIP-Switch 1/2	DIP-Switch 1: (ON) SFP speed setting to 100Mbps / (OFF) SFP speed setting to 1000Mbps DIP-Switch 2: (ON) Enable LFP / (OFF) Disable LFP
LED Indicators	
Power indicator	Green: Power LED x 2. (ON) power input on-line / (OFF) power input off-line
100/1000Base-T(X) RJ45 port indicator	LED for Link/Act: Green : (ON) Link up / (Flashing) Acting / (OFF) Link down LED for Speed indicator: Green : (ON) 1000Mbps / (OFF) 100/10Mbps
100/1000Base-F(X) fiber port indicator	Green for fiber port Link/Act - (ON) Link up / (Flashing) Acting / (OFF) Link down
Power	
Input power	Dual 12~48 VDC power input at 4 pin terminal block
Power consumption(Typ.)	3.6 Watts
Overload current protection	Present
Reverse polarity protection	Present
Physical Characteristic	
Enclosure	IP-30
Dimension (W x D x H)	26.1 (W) x 70 (D) x 95 (H)mm (1.03 x 2.76 x 3.74 inch)
Weight (g)	202 g
Environmental	
Storage Temperature	-40 to 85°C (-40 to 185°F)
Operating Temperature	-40 to 75°C (-40 to 167°F)
Operating Humidity	5% to 95% Non-condensing
Regulatory Approvals	
EMC	CE EMC (EN 55035, EN 55032), FCC Part 15B
EMI	EN 55032, CISPR32, EN 61000-3-2, EN 61000-3-3, FCC Part 15 B class A
EMS	EN 55035 (IEC/EN 61000-4-2(ESD), IEC/EN 61000-4-3(RS), IEC/EN 61000-4-4(EFT), IEC/EN 61000-4-5(Surge), IEC/EN 61000-4-6(CS), IEC/EN 61000-4-8(PFMF)
Shock	IEC 60068-2-27
Free Fall	IEC 60068-2-32
Vibration	IEC 60068-2-6
Safety	EN 62368-1
Warranty	5 years

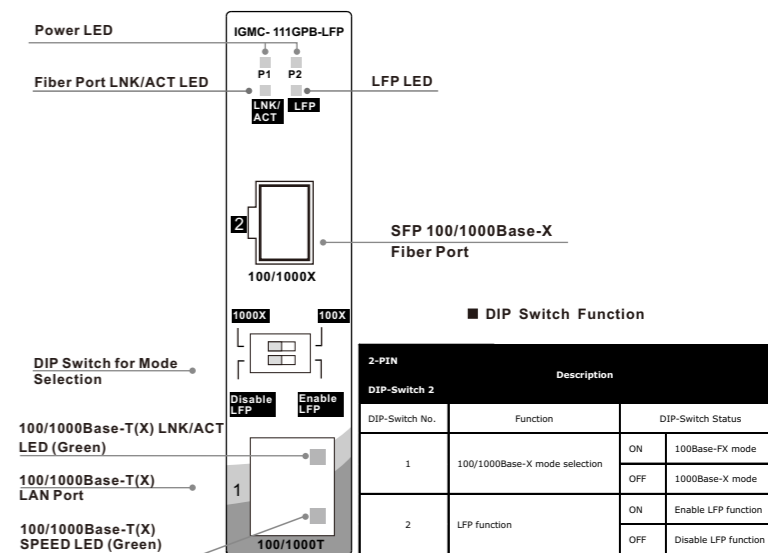
Connections of Media converter



Working Status

Ethernet Port Status	SFP Fiber Port Status	Working status
100Mbps	100Mbps	Valid
100Mbps	1000Mbps	Invalid
1000Mbps	1000Mbps	Valid
1000Mbps	100Mbps	Invalid

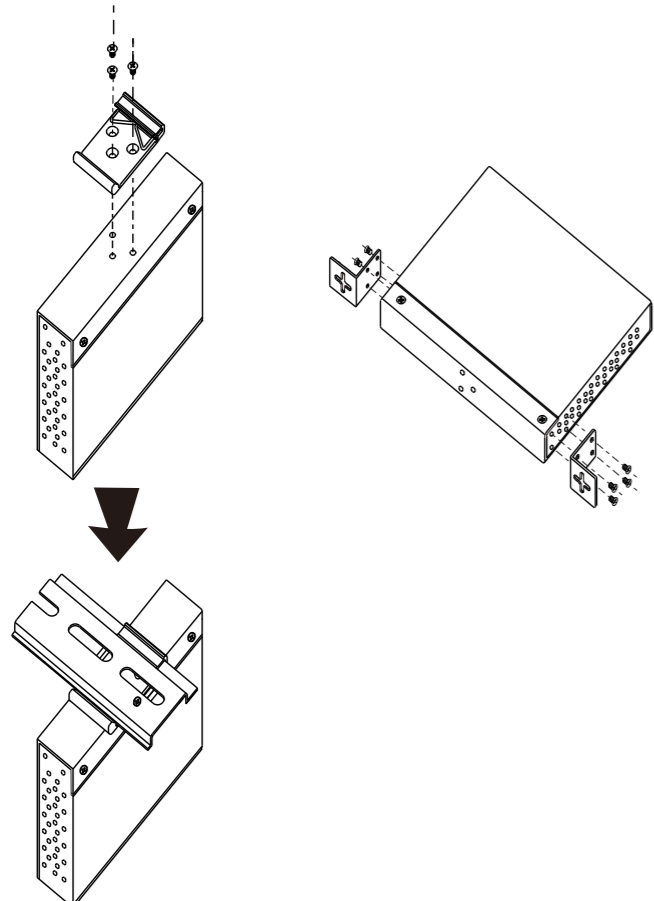
Front Panel



Installation

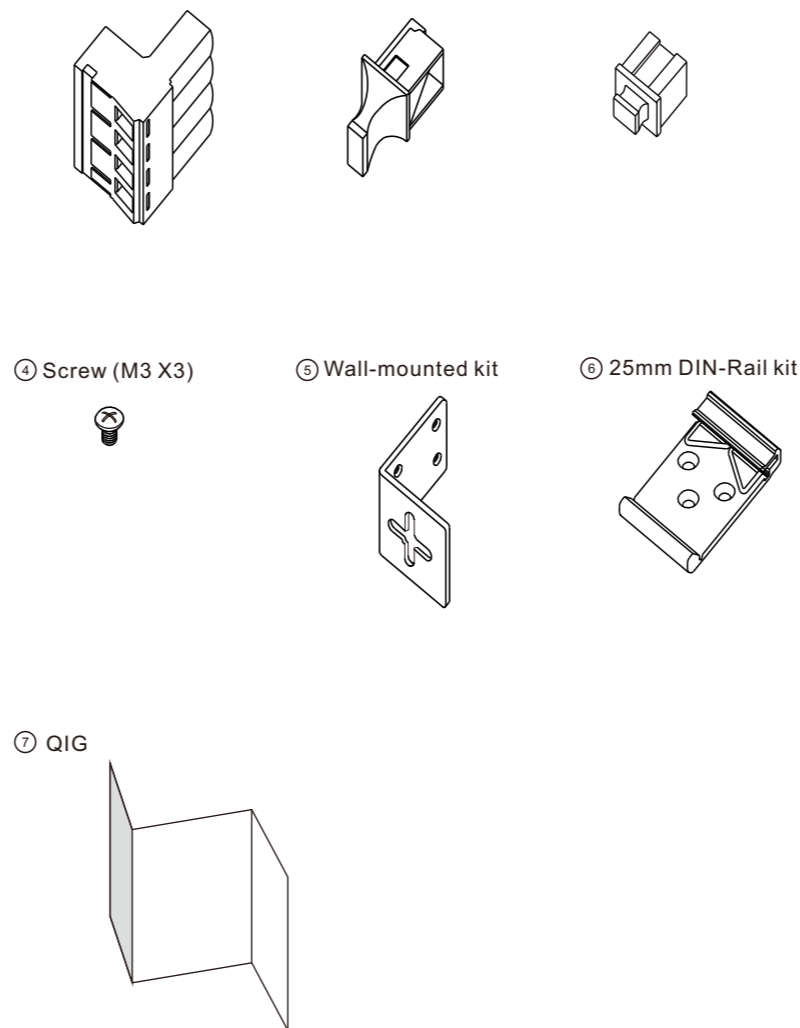
Din-Rail Install Step

Wall-mounted Install Step



Accessory

- ① 4-Pin Terminal block
- ② Dust Cover (RJ-45)
- ③ Dust Cover (SFP)
- ④ Screw (M3 X3)
- ⑤ Wall-mounted kit
- ⑥ 25mm DIN-Rail kit
- ⑦ QIG



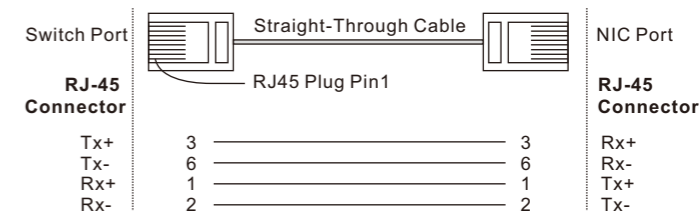
Communication Connections

100Base-TX Ethernet Port Connection

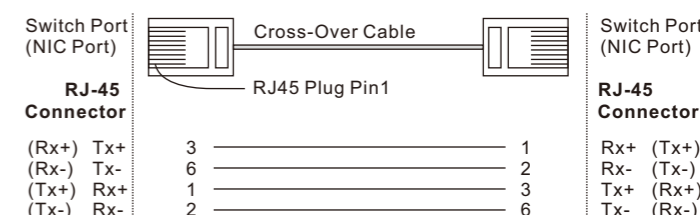
- RJ45 (8-pin, MDI) Port Pinouts
- RJ45 (8-pin, MDI-X) Port Pinouts

Pin	Single		Pin	Single	
1	Tx+	[RJ45 Pinout Diagram]	1	Rx+	[RJ45 Pinout Diagram]
2	Tx-		2	Rx-	
3	Rx+		3	Tx+	
6	Rx-		6	Tx-	

■ RJ45 (8-pin) to RJ45 (8-Pin) Straight-Through Cable Wiring



■ RJ45 (8-pin) to RJ45 (8-Pin) Cross-Over Cable Wiring

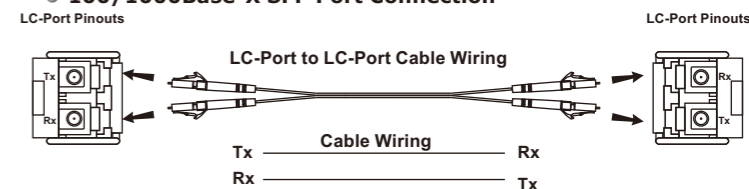


1000Base-T Ethernet Connection

- RJ45 (8-pin, MDI) Port Pinouts
- RJ45 (8-pin, MDI-X) Port Pinouts

Pin	MDI		Pin	MDI-X	
1	BI_DA+	[RJ45 Pinout Diagram]	1	BI_DB+	[RJ45 Pinout Diagram]
2	BI_DA-		2	BI_DB-	
3	BI_DB+		3	BI_DA+	
4	BI_DC+		4	BI_DD+	
5	BI_DC-		5	BI_DD-	
6	BI_DB-		6	BI_DA-	
7	BI_DD+		7	BI_DC+	
8	BI_DD-		8	BI_DC-	

100/1000Base-X SFP Port Connection



ORing
Copyright© 2023 ORing
All rights reserved.

RoHS, FC, CE

ORing Industrial Networking Corp.
TEL: +886-2-2218-1066 Website: www.oring-networking.com
FAX: +886-2-2218-1014 E-mail: support@oring-networking.com

Packing list

Model name	Model Description	Accessory
IGMC-111GPB-LFP	Industrial mini type Gigabit Ethernet to fiber media converter with 1x100/1000Base-T(X) and 1x100/1000Base-X SFP socket	①X1, ②X1, ③X1, ④X8, ⑤X2, ⑥X1, ⑦X1