

Industrial Dual Wi-Fi 6 wireless access point with 1x10/100/1000Base-T(X) and 1xSFP slot, PoE P.D., IP68 grade



Features

- High Speed Air Connectivity:
WLAN interface support up to 2400Mbps link speed
- Dual-Band Dual-Radio IEEE802.11ax with 4 spatial streams
- Highly Security Capability: WEP/WPA/WPA-PSK(TKIP,AES)/WPA2/WPA2-PSK(TKIP,AES)/802.1X Authentication supported
- Support **wireless load balance**
- **Max 1024 client connections**
- Supports a wide variety of QoS policies
- ARP Spoofing Protection
- **Support IPv4/IPv6 address**
- Support AP/Client Mode
- SSID capacity up to 32
- Wireless connecting status monitoring
- Secured Management by Telnet, SSH, TFTP, HTTP
- Event Warning by Syslog
- Wall/Pole-mount installation



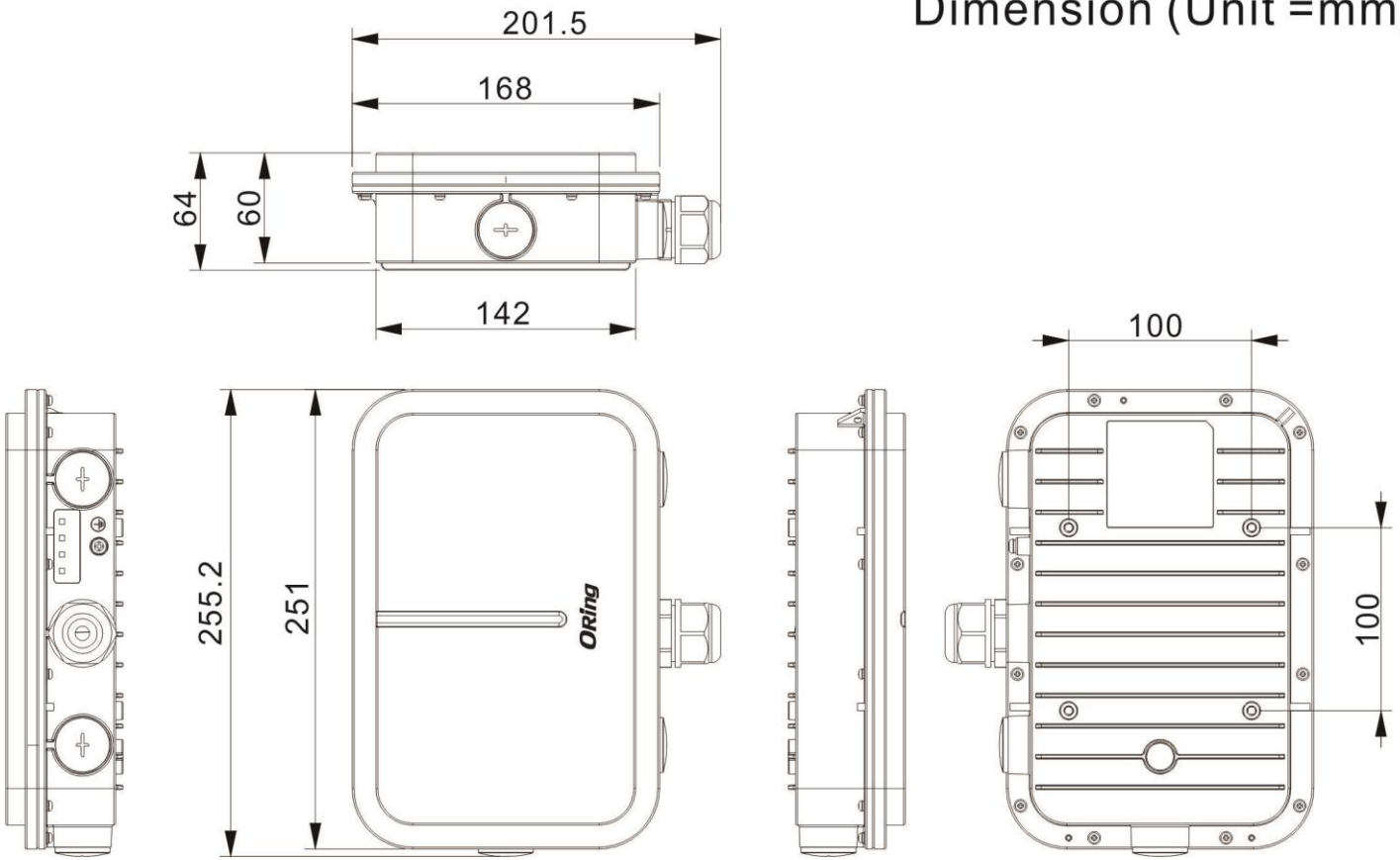
Introduction

ORing **IGAP-W99110GP+** is a high-performance Wi-Fi 6 (IEEE802.11ax) industrial outdoor AP. The **IGAP-W99110GP+** provide concurrent dual-band dual-radio with up to 2.4Gbps access rate, it offers 4 spatial streams. The interface includes one SFP port and one Gigabit Ethernet port with PoE/ local power supply. Taking the wireless network security, RF control, mobile access, QoS and other important factors into account. By the technologies implemented in IEEE802.11ax, such as OFDMA, BSS Color and MU-MIMO, it can reduce the network latency, spatial reuse and improve the network efficiency.

IGAP-W99110GP+ adopts the IP68 protection design for the enclosure, which is suitable for application in indoor and outdoor environments. It can withstand extreme weather and other environmental conditions. Equipped with built-in directional antenna, **IGAP-W99110GP+** can achieve the Wi-Fi coverage in vast majority of the scenarios and greatly reduce the difficulty of installation and maintenance. Multi-hop and point-to-multipoint bridge features are supported to further enhance the deployment flexibility.

Dimension

Dimension (Unit =mm)



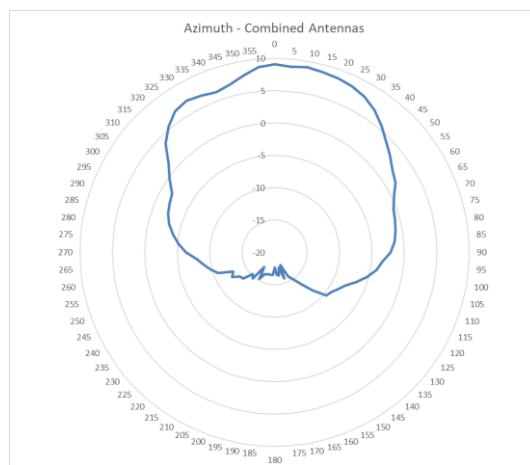
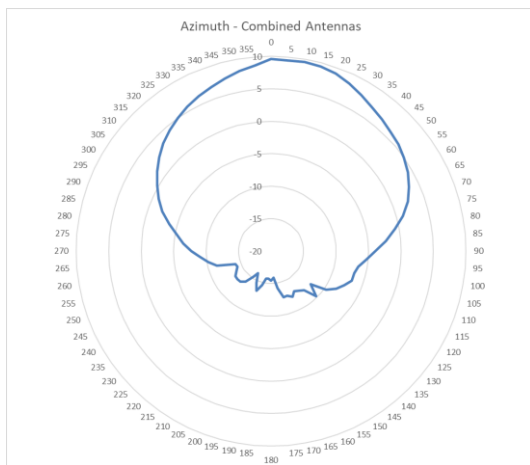
Specifications

ORing WLAN Access Point Model	IGAP-W99110GP+
Physical Ports	
10/100/1000 Base-T(X) Ports in RJ45	1
Gigabit SFP	1
Console	1
Reset	Reset AP/Factory default by press time
WLAN interface	
Operating Mode	AP/Client
Antenna	Build-in 9dBi Directional Antenna, 60° total
Spatial Streams	4 spatial streams, MU-MIMO
WIFI Standard	IEEE802.11a: OFDM IEEE802.11b: CCK/DQPSK/DBPSK IEEE802.11g: OFDM IEEE802.11n: BPSK, QPSK, 16-QAM, 64-QAM IEEE802.11ac: BPSK, QPSK, 16-QAM, 64-QAM, 256-QAM IEEE802.11ax: BPSK, QPSK, 16-QAM, 64-QAM, 256-QAM, 1024-QAM
Frequency Band	2.412~2.472 GHz 5.180~5.240 GHz, 5.745~5.825 GHz
Transmission Rate	Up to 0.575Gbps@2.4G Up to 1.2Gbps@5G Up to 2.4Gbps per AP 2.4G+5G is recommended with 1.775Gbps access rate
Transmit Power	28dBm (Note: The actual transmit power varies according to different countries and regions)
Receiver Sensitivity	802.11a : -71dBm ± 2dBm@54Mbps 802.11b : -85dBm ± 2dBm@11Mbps 802.11g : -71dBm ± 2dBm@54Mbps 802.11n : -83dBm ± 2dBm@MCS0 802.11ac HT20 :-83dBm ± 2dBm@MCS0 802.11ac HT40 :-79dBm ± 2dBm@MCS0 802.11ac HT80 :-76dBm ± 2dBm@MCS0 802.11ax HT80 :-76dBm ± 2dBm@MCS0
Encryption Security	WEP: (64-bit ,128-bit key) WPA/WPA2 PSK :TKIP and AES encryption (802.11i) 802.1X/RADIUS Authentication supported
Wireless Security	SSID broadcast disable and enable
LED Indicators	
System Indicator	Green Blinking: System booting Green Solid: Initialization in progress or proper operation. Orange Blinking: Initialization is complete Red Blinking: uplink port is disconnected.
RSSI	Green 1 Solid : <-70dBm, 2 Solid : -70 ~ -50dBm, 3 Solid : > -50dBm
Power	
Input Power	PoE (802.3af / 802.3at) or 44~57VDC power supply
Power Consumption (Typ.)	<12.95W
Surge Protection	Common mode +/-9kV
Physical Characteristic	
Enclosure	IP-68
Dimension (W x D x H)	251 x 168 x 64 mm (Excluding the bracket)
Weight	<1.5kg

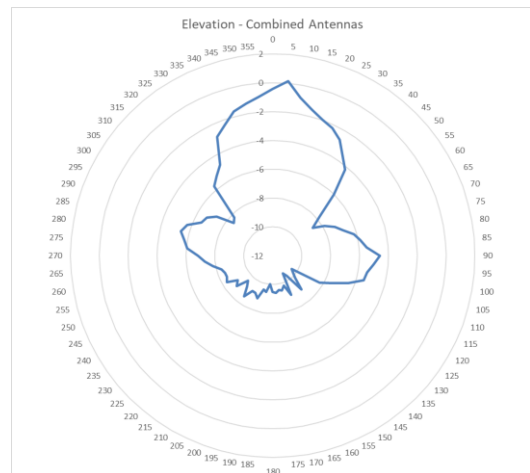
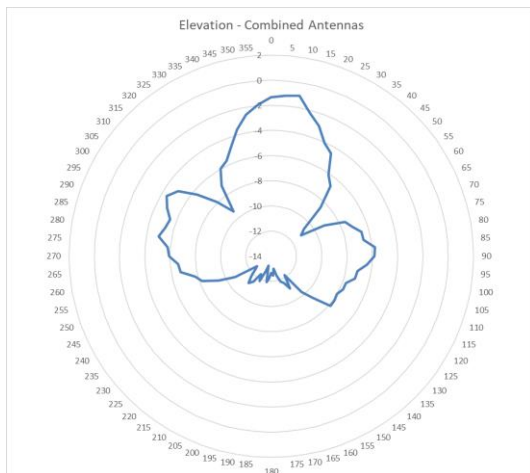
Environmental	
Storage Temperature	-40 to 85°C (-40 to 185°F)
Operating Temperature	-40 to 65°C (-40 to 149°F)
Operating Humidity	0% to 100% Non-condensing
Regulatory Approvals	
EMC	EN55032, EN55035, EN301 489, GB9254
RF	EN300 328, EN301 893, SRRC
Safety	EN60950-1, GB4943
Warranty	3 years

Antenna Patterns

- Horizontal planes (top view)



- Vertical (elevation) planes (side view, AP facing down)



❏ Packing List

Item	Quantity	Unit	Remark
Host Device	1	Set	
Mounting plate	1	Piece	
Mounting bracket	1	Piece	
M5x10 screw	4	Piece	
M6x20 screw	2	Piece	
M6x50 expansion bolt	4	Piece	
Liquid-tight adapter	2	Piece	For network cable and DC power cord
Liquid-tight adapter for optical fiber	1	Piece	
Cable tie	1	Piece	
Hose clamp	2	Piece	
Grounding cable	1	Piece	
Seal plug	3	Piece	Preinstalled
Quick Installation Guide	1	Piece	