

SWM-80GT

Industrial 8-port Gigabit Ethernet switch module with 8x10/100/1000Base-T(X) ports



Features

- Designed for use with RGS-P(R)9000 series and
- 8 × 10/100/1000Base-T(X) ports for flexible network expansion.
- Wide operating temperature ranges from -40 to 85°C



IEC 61850-3
Power Substation

Product Description

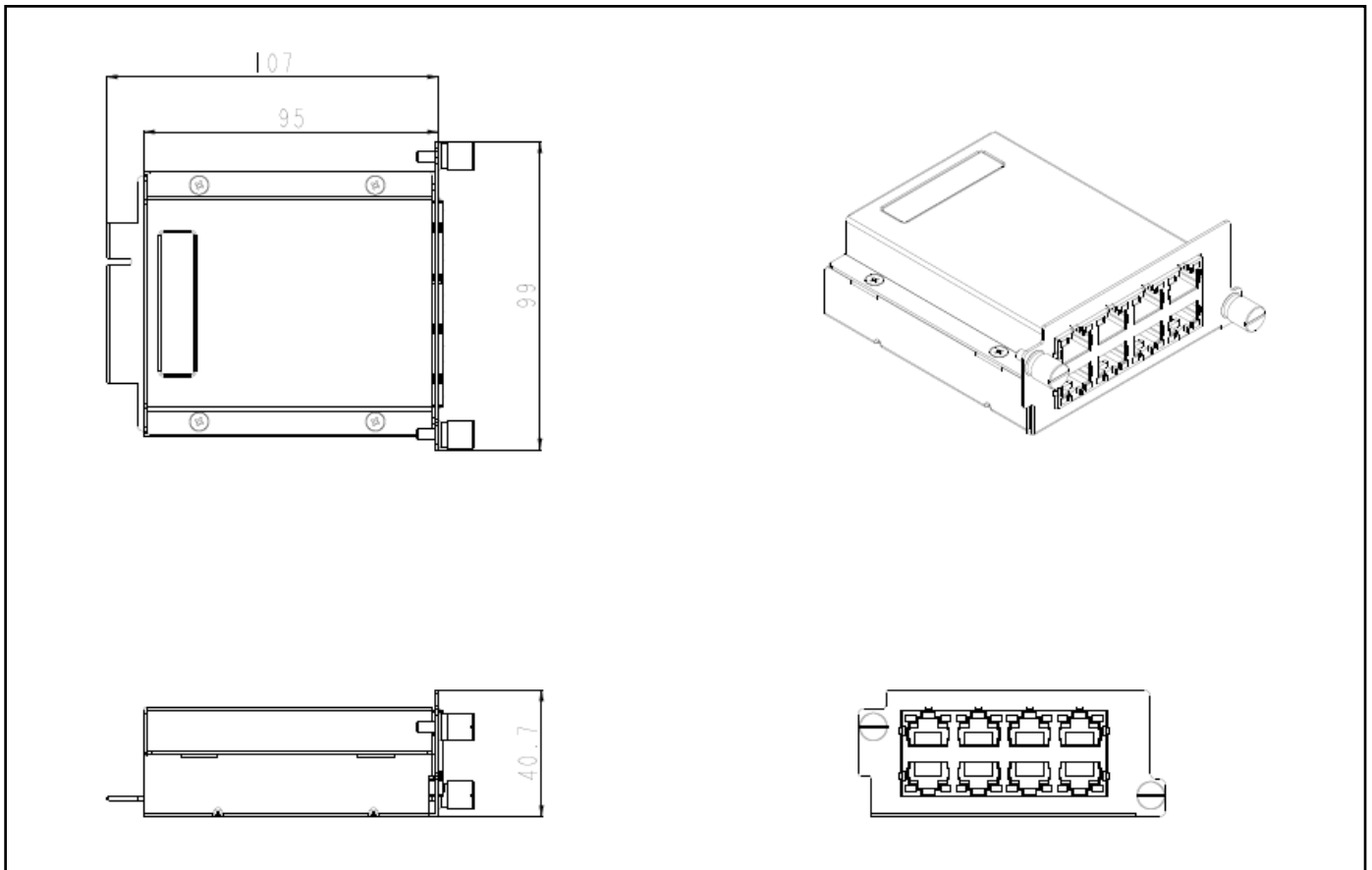
The SWM-80GT is an 8-port Gigabit copper expansion module for ORing RGS-P(R)9000 switches, supporting 8 × 10/100/1000Base-T(X) ports for flexible network expansion.

Specifications

Hardware Specifications	
Connector	8X RJ45
Speed	1000 Mbps / Duplex FDX/HDX
Maximum Distance	100 m (328 ft)
Isolation	1.5KV
Operating Temperature	-40 to 85 °C (-40 to 185 °F)
Physical Characteristic	
Enclosure	IP-30
Dimension	99 (W) x 107 (D) x 41.7(H) mm

Dimensions

Unit: mm [inch]



Ordering Information

For RGS-P(R) 9000 slot 1~3

SWM-80GT Industrial 8-port Gigabit Ethernet switch module with 8x10/100/1000Base-T(X) ports

ORing Industrial Networking

All specifications are subject to change without notice.

Last updated: 2026/5/13