

# IES-1162GC



IES-1162GC

► **Industrial 18-port unmanaged Ethernet switch with 16x10/100Base-T(X) and 2xGigabit combo ports, SFP socket**

## Features

- Provides 16x10/100Base-T(X) and 2xGigabit Combo ports
- RJ-45 ports support Auto MDI/MDI-X switching function
- SFP supports 1000Base-X Mode
- Provides Store-and-Forward switching architecture
- Provides 7.2Gbps Back-plane (Switching Fabric)
- Supports 1M bits packet buffer
- Rigid IP-30 housing design
- DIN-Rail and wall mounting enabled

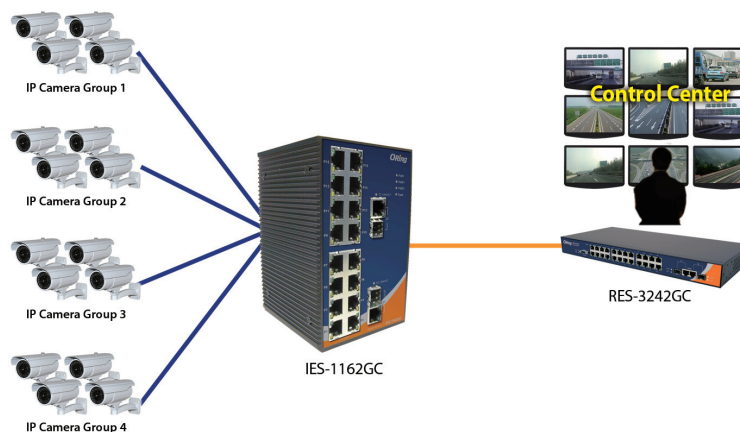


## Introduction

IES-1162GC is the unmanaged Ethernet switch with 16x10/100Base-T(X) and 2xGigabit Combo port Ethernet Switch. IES-1162GC supports redundant power inputs, relay output alarm, and surge protection. The wide operating temperature, range from  $-40$  to  $70^{\circ}\text{C}$ , can satisfy most of harsh operating environments.

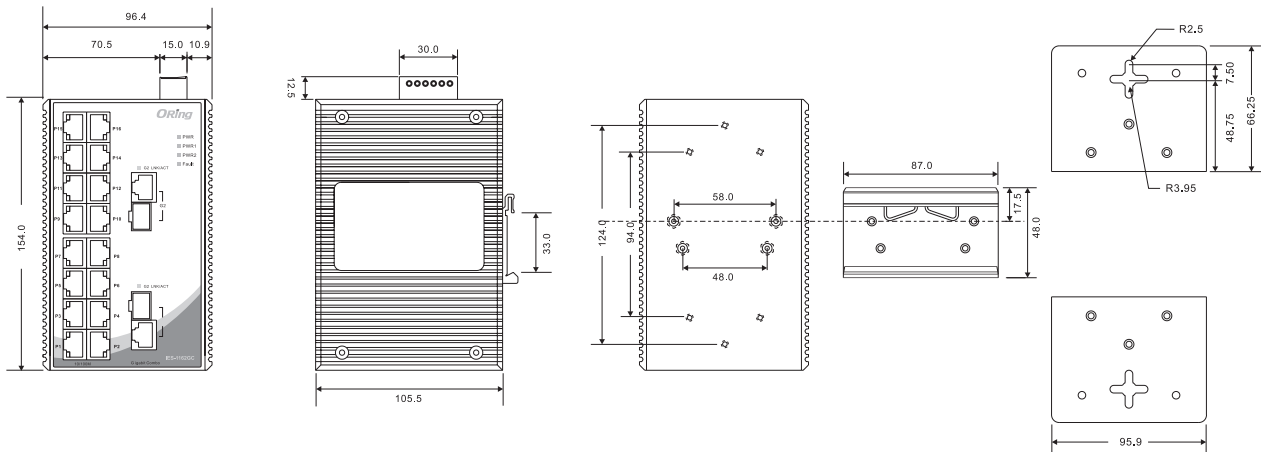
## Practical Operation

IES-1162GC is usually deployed for connecting several kinds of Ethernet devices, such like Ethernet I/O, IP-camera, etc. The designs of rugged housing and wide operating temperature, range from  $-40$  to  $70^{\circ}\text{C}$ , makes IES-1162GC reliably in any kinds of industrial applications. Especially, IES-1162GC features redundant DC power inputs on terminal block to avoid any unexpected fails on power. Thus, IES-1162GC could guarantee a non-stop operation.



Connections of Ethernet devices

## Dimensions



(Unit=mm)

## Specifications

ORing Switch Model	IES-1162GC
<b>Physical Ports</b>	
10/100Base-T(X) Ports in RJ45 Auto MDI/MDIX	16
Gigabit Combo Ports with 10/100/1000Base-T(X) and 1000Base-X SFP Port	2
<b>Technology</b>	
Ethernet Standards	IEEE 802.3 for 10Base-T IEEE 802.3u for 100Base-TX IEEE 802.3z for 1000Base-X IEEE 802.3ab for 1000Base-T IEEE 802.3x for Flow control
MAC Table	8192 MAC addresses
Priority Queues	4
Processing	Store-and-Forward
Switch Properties	Switching latency : 9 μs Switching bandwidth : 7.2Gbps
<b>LED Indicators</b>	
Power Indicator	Green : Power LED x 3
Fault Indicator	Amber : Indicates power failure occurred
10/100Base-T(X) RJ45 Port Indicator	Green for port Link/Act. Amber for Duplex/Collision
10/100/1000Base-T(X) RJ45 Port Indicator	Green for Link/Act. Amber for 100Mbps indicator
1000Base-X Fiber Port Indicator	Green for port Link/Act.
<b>Power</b>	
Redundant Input Power	Dual DC inputs. 12~48VDC on 6-pin terminal block
Power Consumption (Typ.)	9 Watts
Overload Current Protection	Present
Reverse Polarity Protection	Present on terminal block

Physical Characteristics	
Enclosure	IP-30
Dimensions (W x D x H)	96.4(W)x108.5(D)x154(H) mm (3.8 x 4.27 x 6.06 inch)
Weight (g)	1010 g
Environmental	
Storage Temperature	-40 to 85°C (-40 to 185°F)
Operating Temperature	-40 to 70°C (-40 to 158°F)
Operating Humidity	5% to 95% Non-condensing
Regulatory Approvals	
EMI	FCC Part 15, CISPR (EN55022) class A
EMS	EN61000-4-2 (ESD), EN61000-4-3 (RS), EN61000-4-4 (EFT), EN61000-4-5 (Surge), EN61000-4-6 (CS), EN61000-4-8, EN61000-4-11
Shock	IEC60068-2-27
Free Fall	IEC60068-2-32
Vibration	IEC60068-2-6
Safety	EN60950-1
Warranty	5 years

## Ordering Information

IES-1 **AA** **B** **CC**

Code Definition	10/100Base-T(X) Port Number	Additional Port Number	Additional Port Type
<b>Option</b>	- <b>16</b> : 16 ports	- <b>2</b> : 2 ports	- <b>GC</b> : Gigabit combo port

Available Model	Model Name	Description
	IES-1162GC	Industrial 18-port unmanaged Ethernet switch with 16x10/100Base-T(X) and 2xGigabit combo ports, SFP socket

### Packing List

- IES-1162GC
- DIN-Rail Kit
- Wall-mount Kit
- Quick Installation Guide

### Optional Accessories (Can be purchased separately)

- SFP1G series, 1Gbps SFP optical transceiver
- DR-45 series, 45W DIN-Rail power supply
- DR-75 series, 75W DIN-Rail power supply
- DR-120 series, 120W DIN-Rail power supply
- SDR-240-48, 240W DIN-Rail power supply
- SDR-480-48, 480W DIN-Rail power supply