



ORIO-G80112ND5-NBTX

Mini Gateway, CAT-M1/NB, RS 485 / 1DI / 1DO



Features

- Support 2W-RS485
- Support 1 Digital output (Sink)
- Support 1 Digital input (Dry Contact)
- Support NB-IOT/CAT M1
- Small and compact size
- Support BLE connection



Introduction

ORing ORIO-G80112ND5-NBTX modules accelerate time to market for designers, OEMs and solution providers by quickly enabling wireless connectivity and easy-to-add functionality. Building on industry-leading technology, provide wireless protocols as needed. ORIO-G80112ND5-NBTX Cellular LTE-M/NB-IoT modules feature a power saving mode which extends sleep time and battery life. ORIO-G80112ND5-NBTX modules can be easily configured and controlled from a simple, central platform.

ORing ORIO-G80112ND5-NBTX modules support RS-485 and Digital Output (DO) Digital Input (DI) interface and 5~24VDC Power input.

■ Specifications

ORing Model	ORIO-G80111D5-NBG
Form Factor	
Dimension (mm)	88.8 x 43.8 x 24.2 mm
Weight (g)	TBD
SIM Card Size	4FF Nano
Wireless	
NB-IOT	Frequency Band: B1/B2/B3/B4/B5/B8/B9/B12/B13/B14/B17/B18/B19/B20/B25/B26/B28/B66/B85
CAT M1	Frequency Band: B3
Protocol	
Pass through	Serial to TCP Serial to UDP
Gateway	Modbus RTU to MQTT Modbus RTU to CoAP
Remote I/O	MQTT CoAP
Serial Port	
Connector	Terminal Block
Ports	2W-RS485: 1 port (Data-, Data+)
Serial Baud Rate	Up to 115.2Kbps (1M Max.)
Data Bits	8
Parity	None
Stop Bits	1
Digital Input	
Connector	Terminal Block
Ports	1
I/O Mode	DI or Event Counter
Sensor Type	Dry Contact
Dry Contact	• On: short to GND • Off: open
Isolation	3K VDC
Digital Output	
Connector	Terminal Block
Ports	1
I/O Mode	DO or Pulse Output

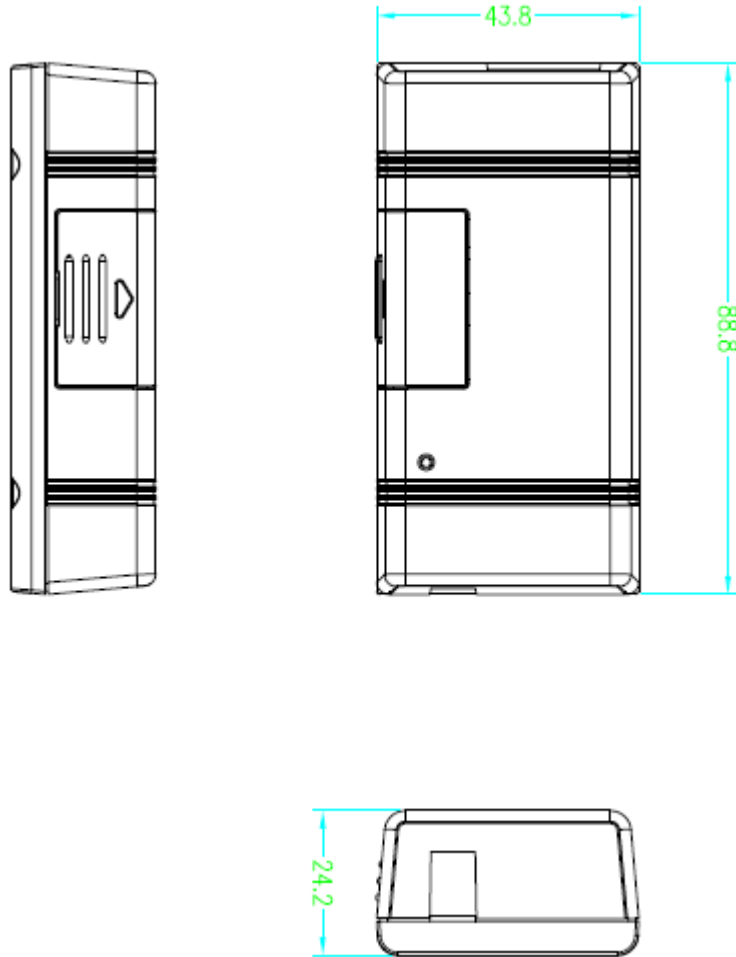
Sensor Type	Sink
Over-Voltage Protection	60 VDC
Current Rating	50 mA
Isolation	3K VDC
Power Requirements	
Input Voltage	5 -24 VDC
Power Consumption	TBD
Certification	
Certification	CE, FCC, NCC
Environmental	
Storage Temperature	-20 to 85°C
Operating Temperature	-20 to 70°C
Ambient Temperature	-20 to 50°C
Warranty	5 years

*Please contact with sales person to get detail informatio

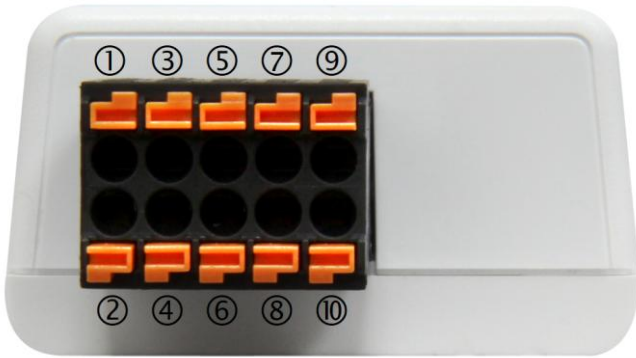
*NCC 警語：減少電磁波影響，請妥善使用。

■ Dimension

Dimension: 88.8 x 43.8 x 24.2 mm



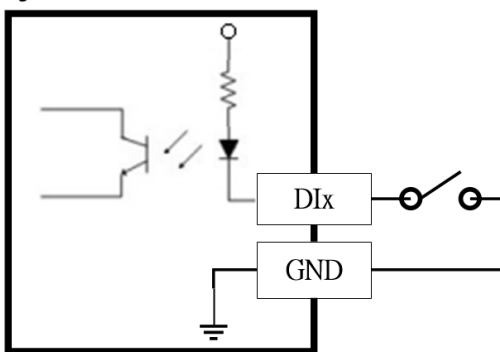
Pin Definition



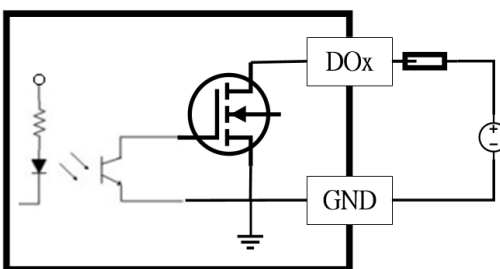
Pin NO.	Description
1	V+
2	V-
3	Rx USB D-
4	Tx USB D+
5	RS485 Rx-
6	RS485 Tx+
7	DO
8	DI
9	I.GND
10	USB Vcc

Wiring

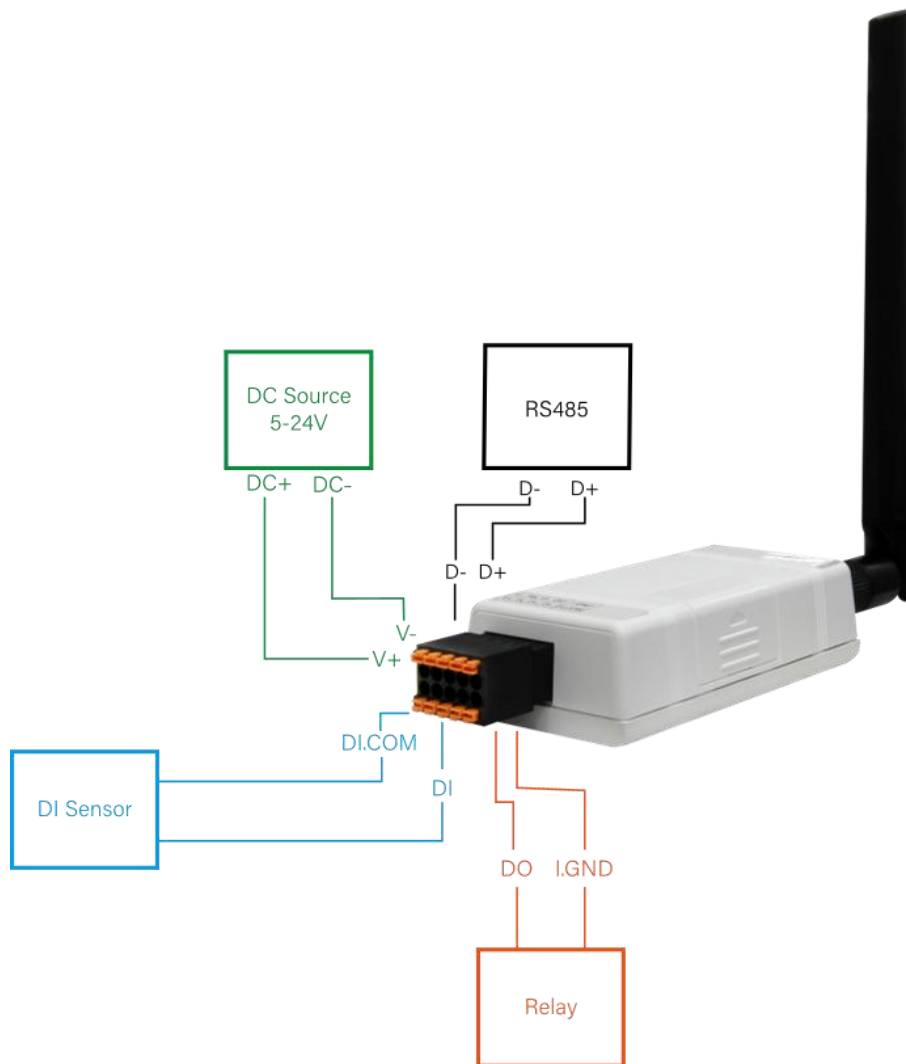
Digital Input



Digital Output



■ Appendix



■ Ordering Information

Model Name	Description
ORIO-G80112ND5-NBTX	Mini Gateway, NB-IoT, CAT-M1, RS 485 / 1DI / 1DO

■ Packing List

- ORIO-G80112ND5-NBTX
- Quick Guide Installation x1